



# NEW! Miniaturized NEW! Multi-Channel

## CITCRYO1-18

### Cryogenic HEMT Low Noise Amplifier

#### KEY FEATURES

- Frequency Range 1–18 GHz
- Very low noise, Minimum 4K, Maximum 8K.
- Input/Output return loss is <-10 dB.
- Can operate as low as 10mW with reduced gain.

#### PERFORMANCE FEATURES

- RF frequency
  - 1 to 18 GHz
- Gain
  - 35 dB ± 2 dB
- Average noise temperature
  - < 6 Kelvin
- Average noise figure
  - 0.09 dB

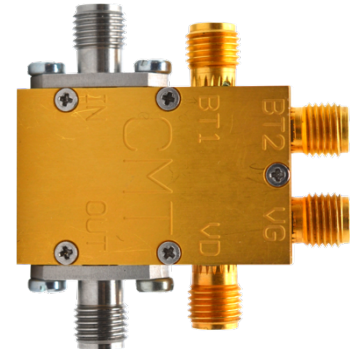
#### APPLICATIONS

- ✓ Radio astronomy arrays
- ✓ Satellite and Space Communication
- ✓ Research & development

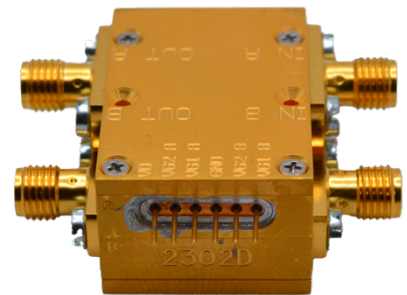
### Description

The CITCRYO1-18 is a cryogenic, low noise amplifier suitable for Radio Astronomy and Quantum applications. The amplifier covers the band from 1 to 18 GHz and is useable to 22 GHz. The amplifier has a typical noise temperature of 6 K with a gain of 35 dB. The standard configuration comes with SMA female connectors. The amplifier is also available in our NEW miniature “Drop-In” version which is 10 mm X 10 mm. CMT has also introduced a dual amplifier configuration, and a chassis that incorporated shielded SMA connectors for ALL DC connections, amplifier supply and input DC Bias tees.

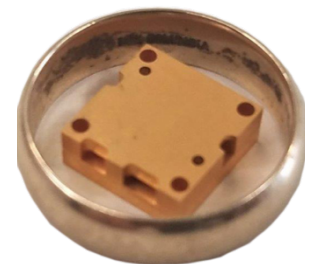
#### DC CONNECTIONS FOR HIGH NOISE ENVIRONMENTS



*New shielded SMA connectors*



*New Multi-Channel*



*New Reduced Size*

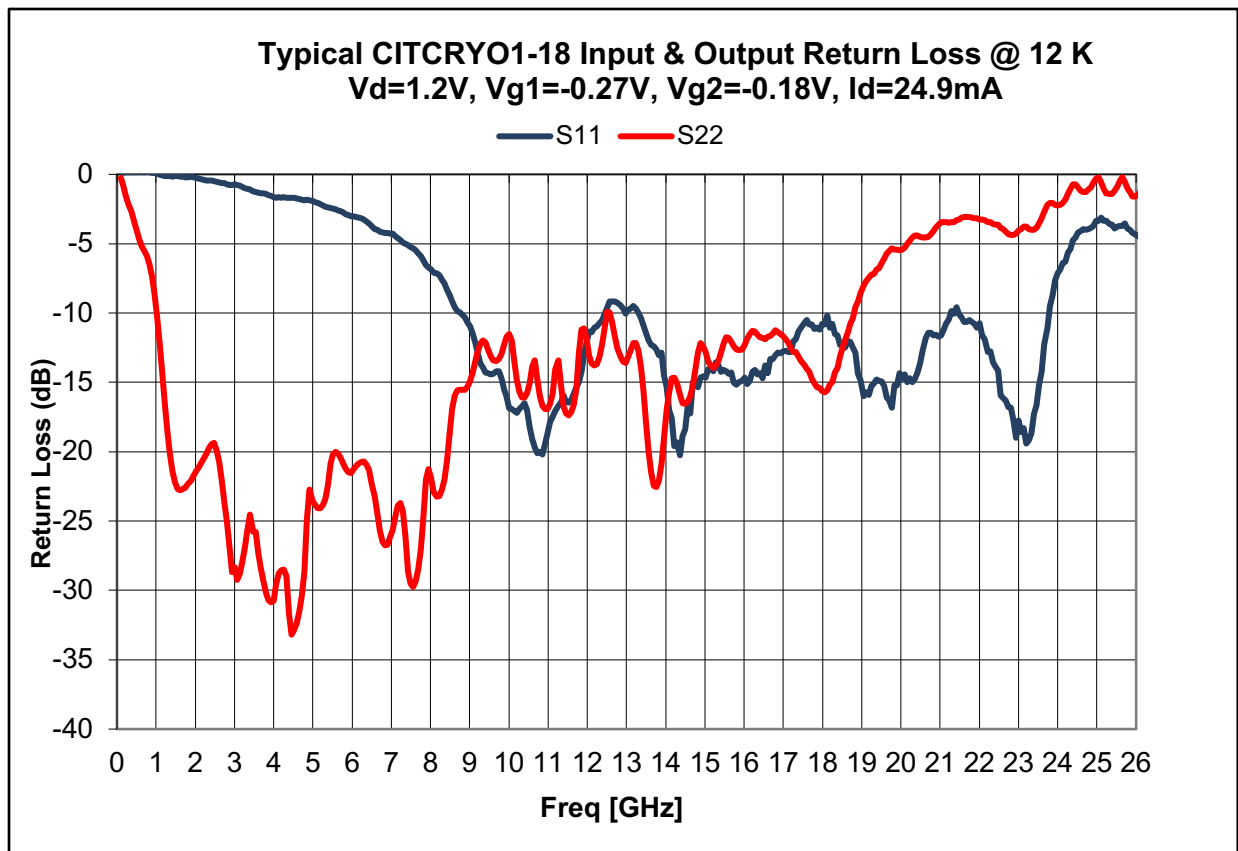
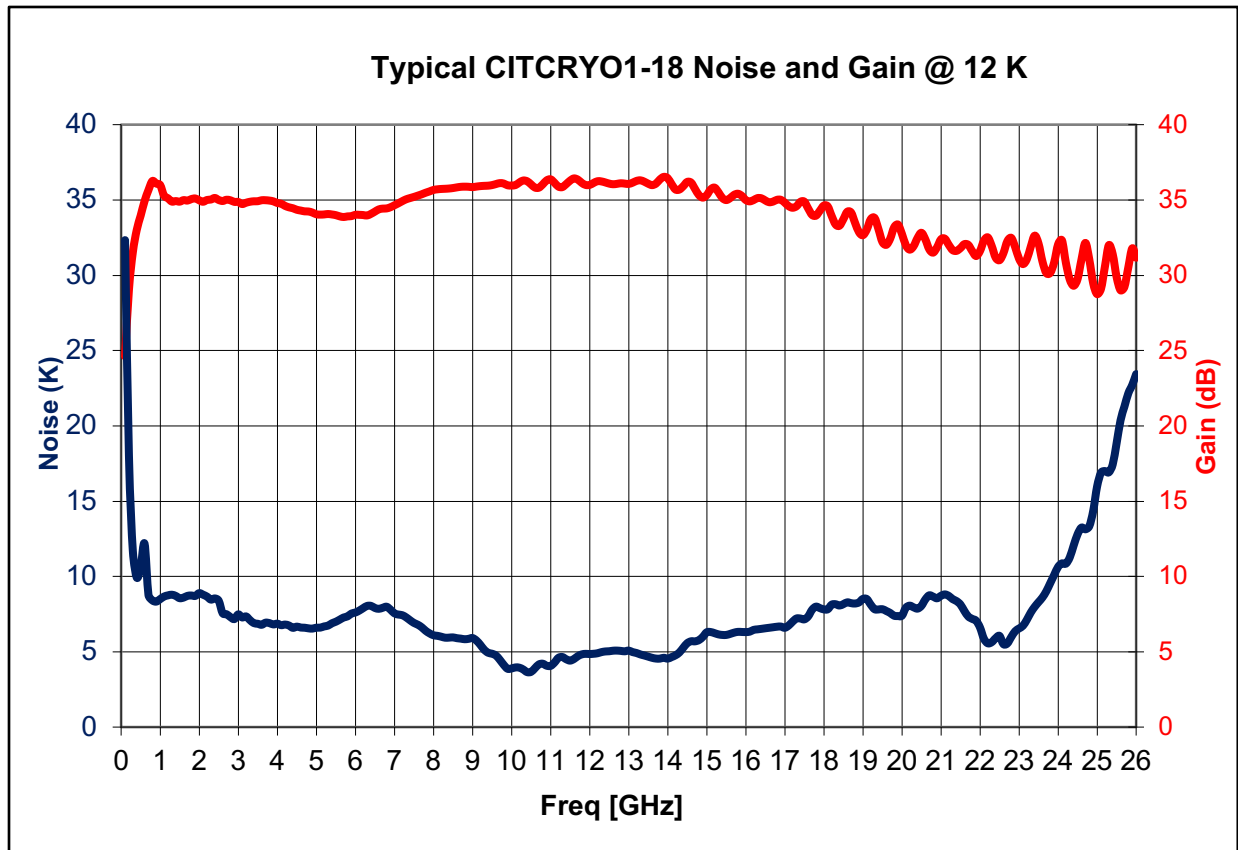
## Electrical Specifications @ 12 K

Description	Typical	Minimum	Maximum
RF Frequency		1 GHz	18 GHz
Gain	35 dB	35 dB ± 2 dB	
Noise Temperature	< 8K	6K Typ	
IRL (-20log S <sub>11</sub>  )		< -10 dB	
ORL (-20log S <sub>22</sub>  )		< -10 dB	
Drain Voltage	1.2 V	0.8 V	1.6 V

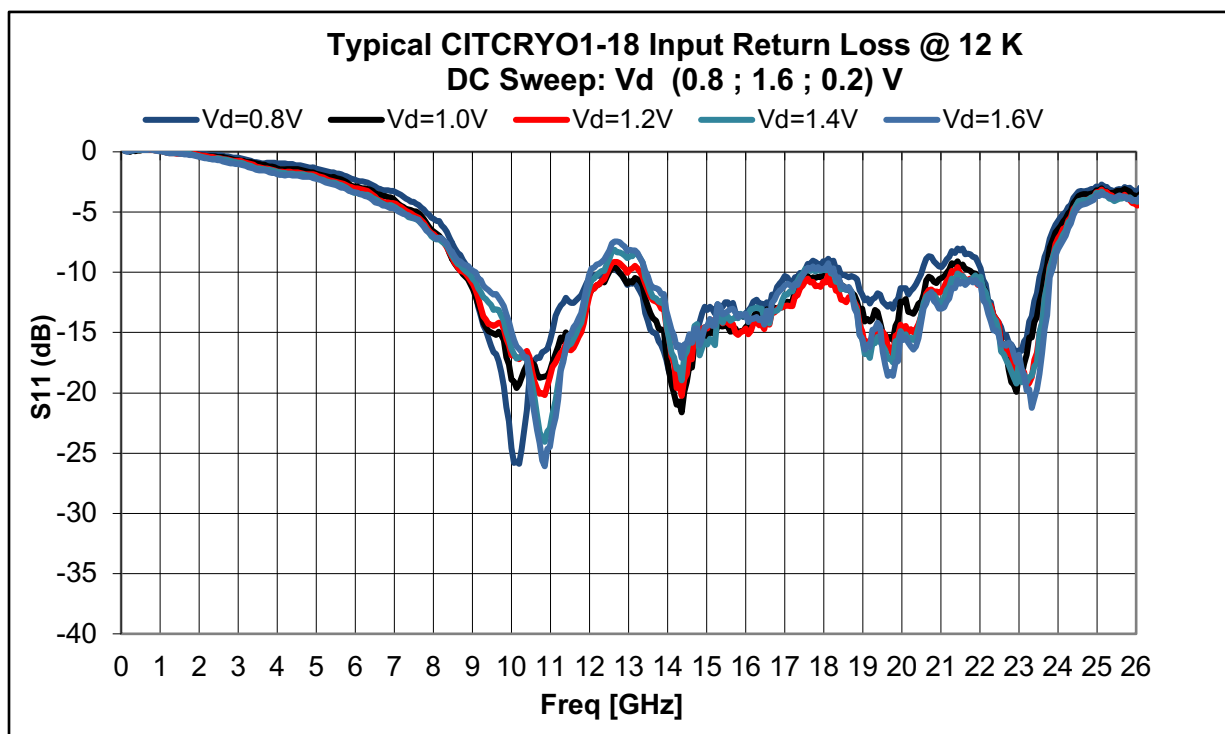
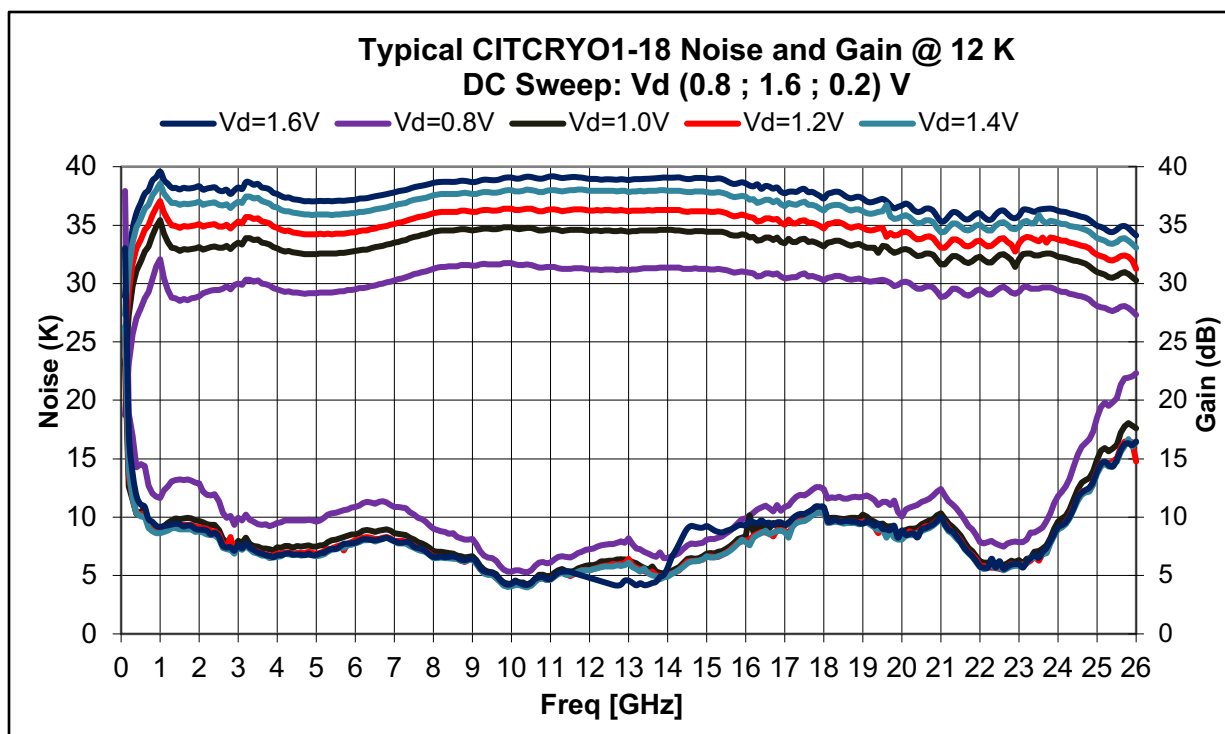
## Electrical Specifications @ 300 K

Description	Typical	Minimum	Maximum
RF Frequency		1 GHz	18 GHz
Gain	33 dB	32 dB ± 3 dB	
Noise Temperature	< 100K		
IRL (-20log S <sub>11</sub>  )		< -10 dB	
ORL (-20log S <sub>22</sub>  )		< -10 dB	
DC Voltage	1.5 V	1.0 V	1.6 V

# Typical Test Results – Optimum DC Bias @ 12 K



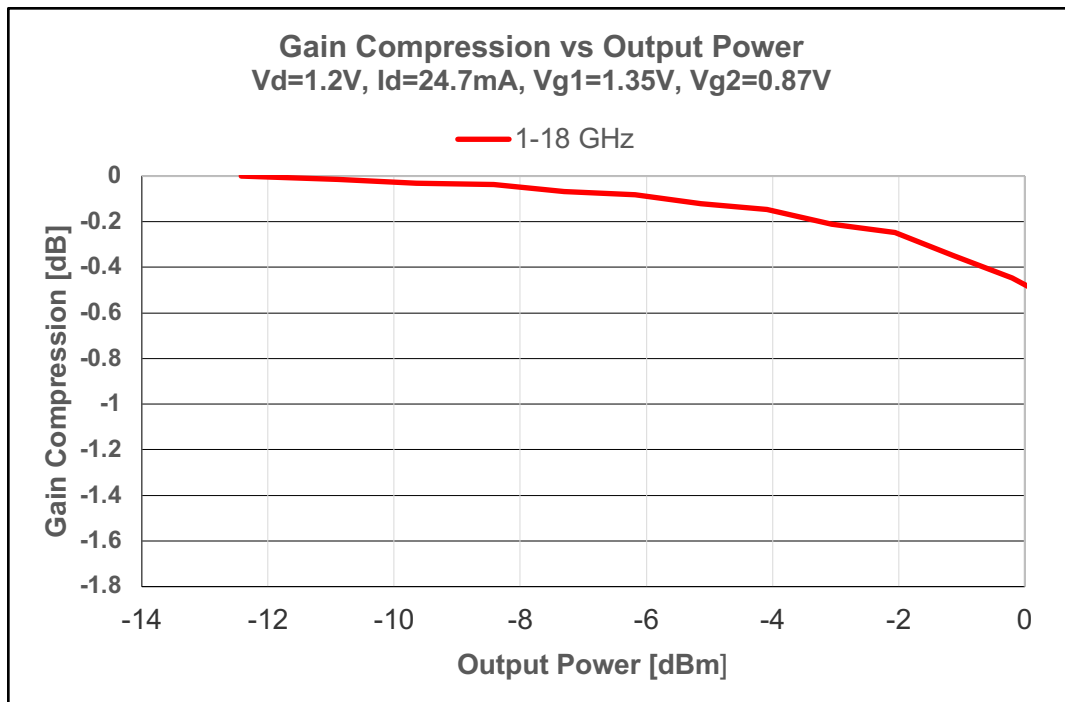
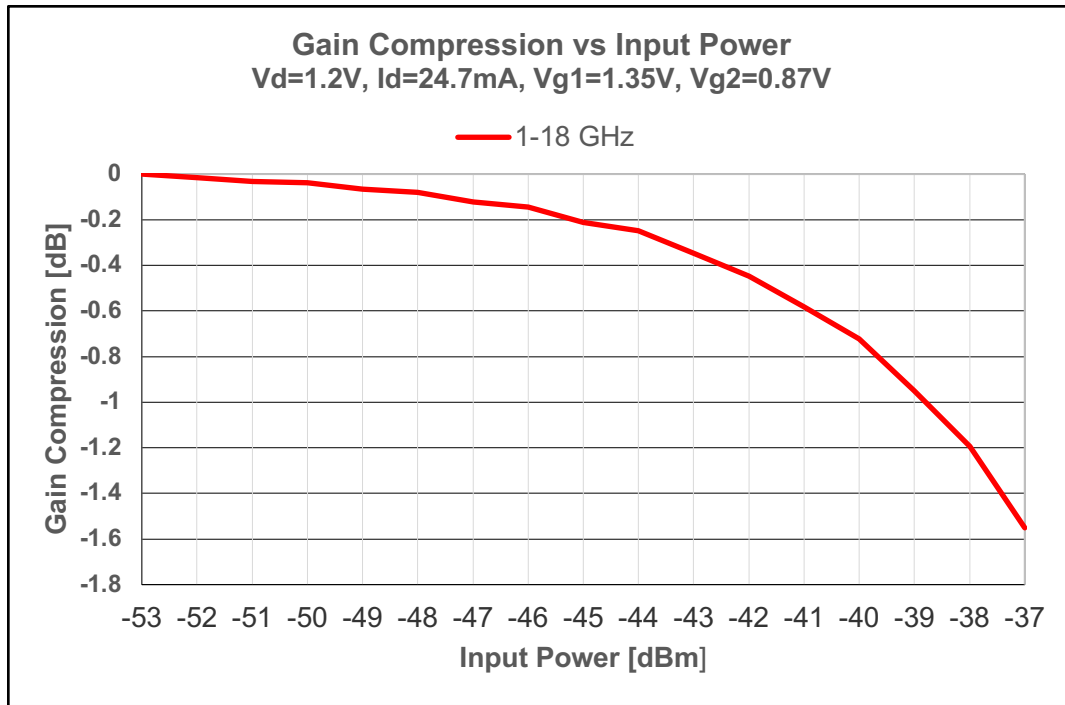
# Typical Test Results – DC Bias Sweep @ 12 K

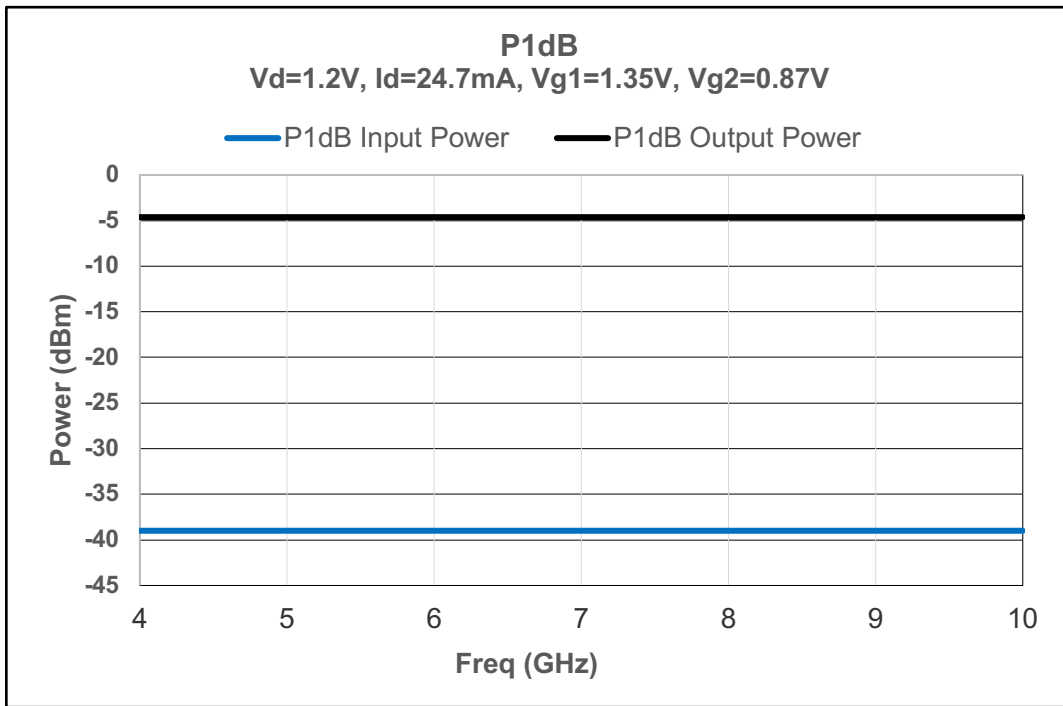


Vd (V)	Vg1 (V)	Vg2 (V)	Id (mA)
0.8	-0.44	-0.23	14.3
1.0	-0.29	-0.14	20.8
1.2	-0.27	-0.18	24.9
1.4	-0.22	-0.08	31.9
1.6	-0.24	0.00	38.3

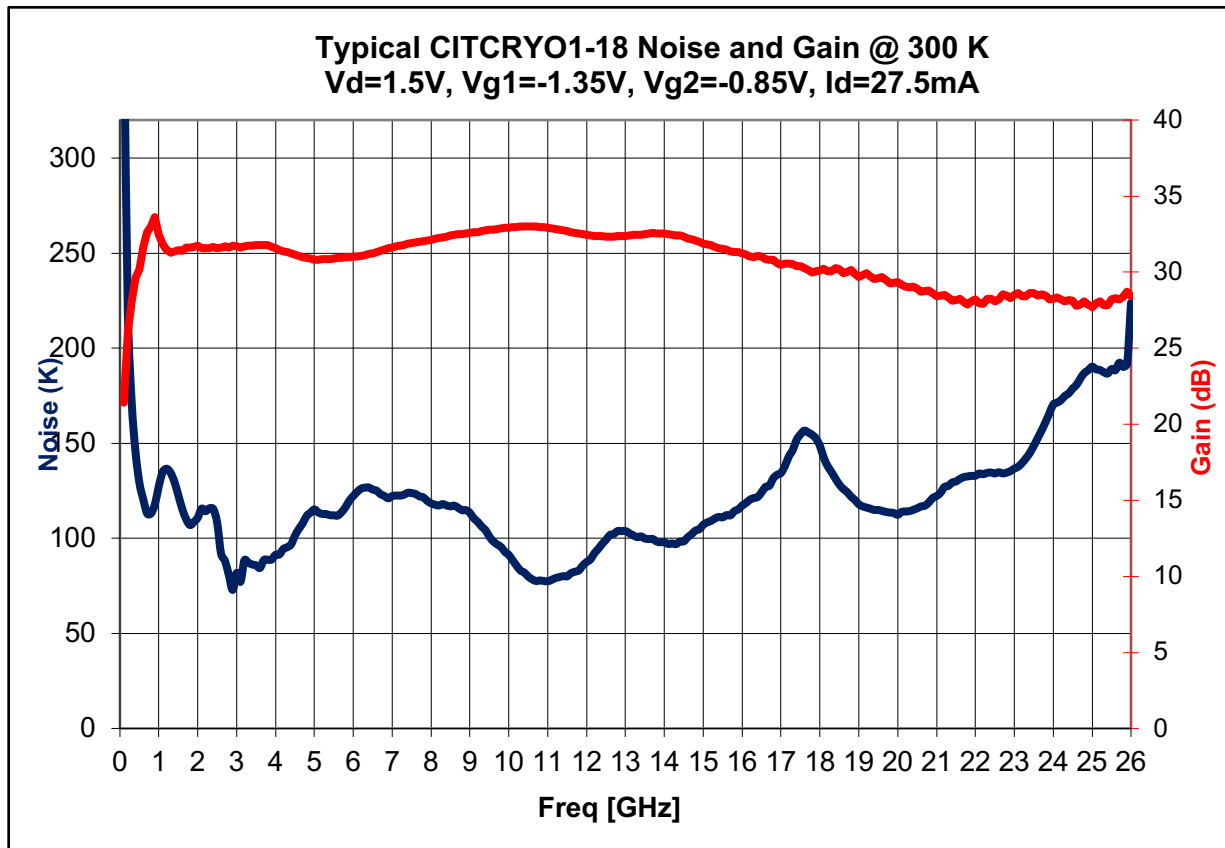
# Typical Test Results – Gain Compression, P1dB

$V_d=1.2V$ ,  $T_c=12K$

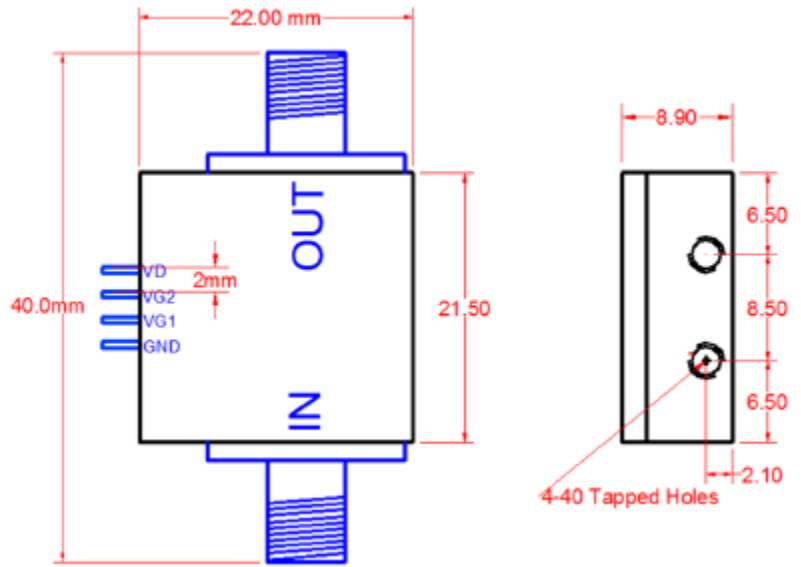




## Typical Test Results – Optimum DC Bias @ 300 K

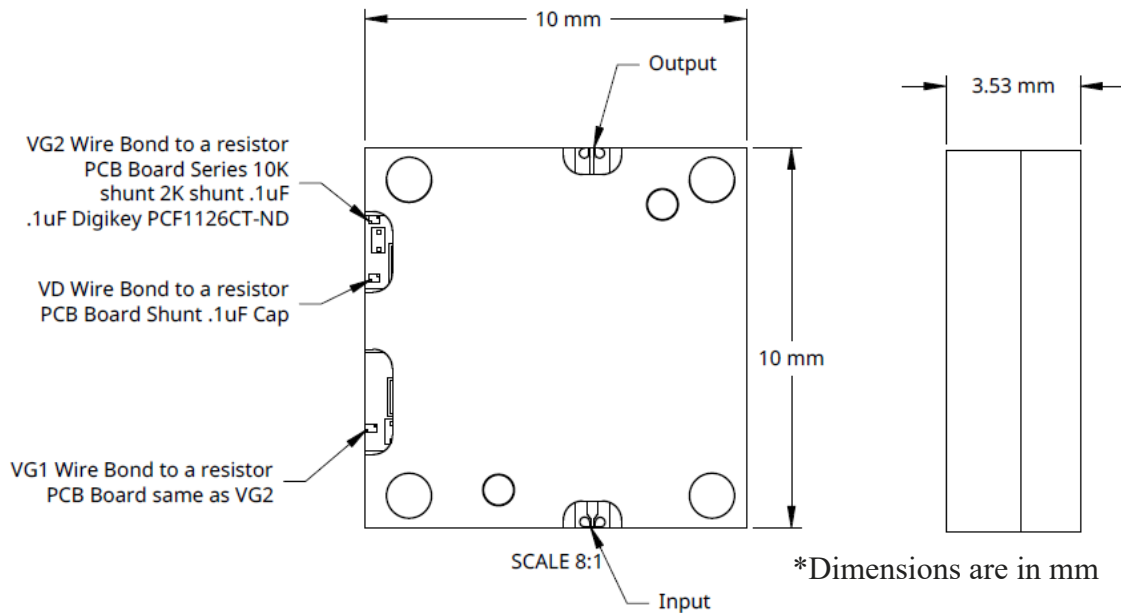


# CAD Housing Drawing

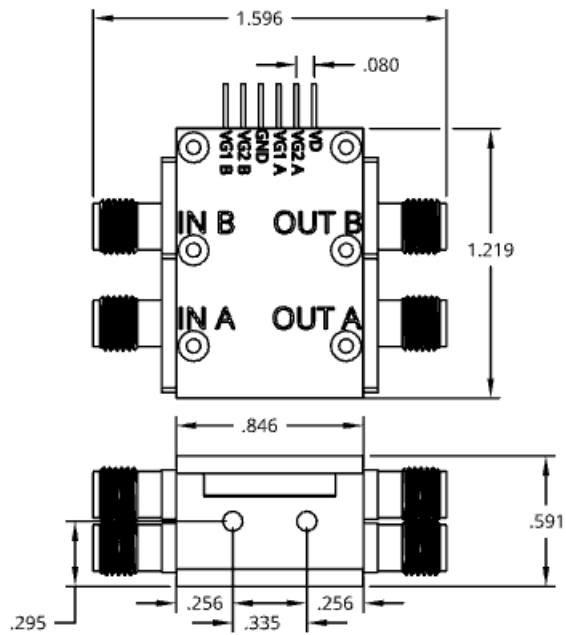


\*Dimensions are in mm

# CAD Housing Drawing – Miniature

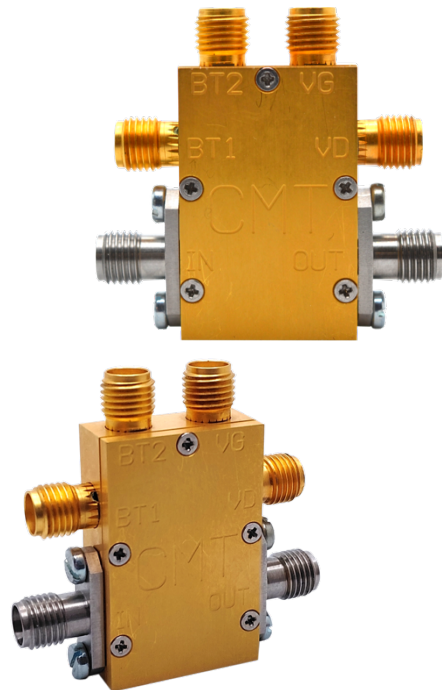
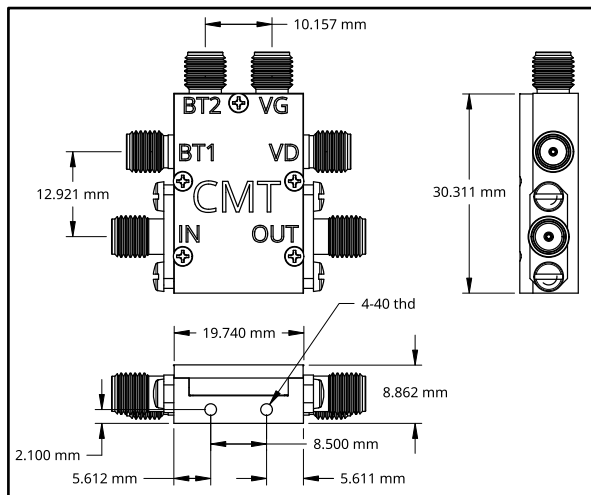


# CAD Housing Drawing – Multi-Channel



\*Dimensions are in mm

# CAD Housing Drawing – Shielded SMA Connectors



# Optional Input Bias Tee

As an option, the amplifier can be supplied with a DC bias tee for an external device connected to the amplifier input. The bias tee is formed by two (2) resistors connected to the input; as shown in Figure 1. One (1) resistor can be used as a source of current and the other senses the voltage across the external device. Voltages applied to the bias tee have a small effect on amplifier operation. At 12 K, 20 K $\Omega$  resistors increase noise by 0.5 K.

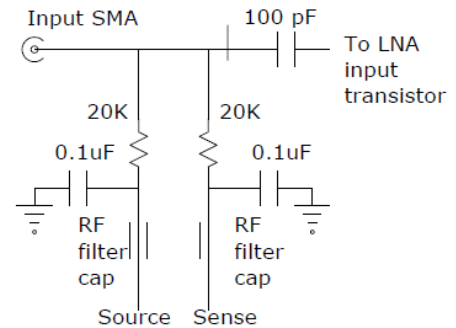
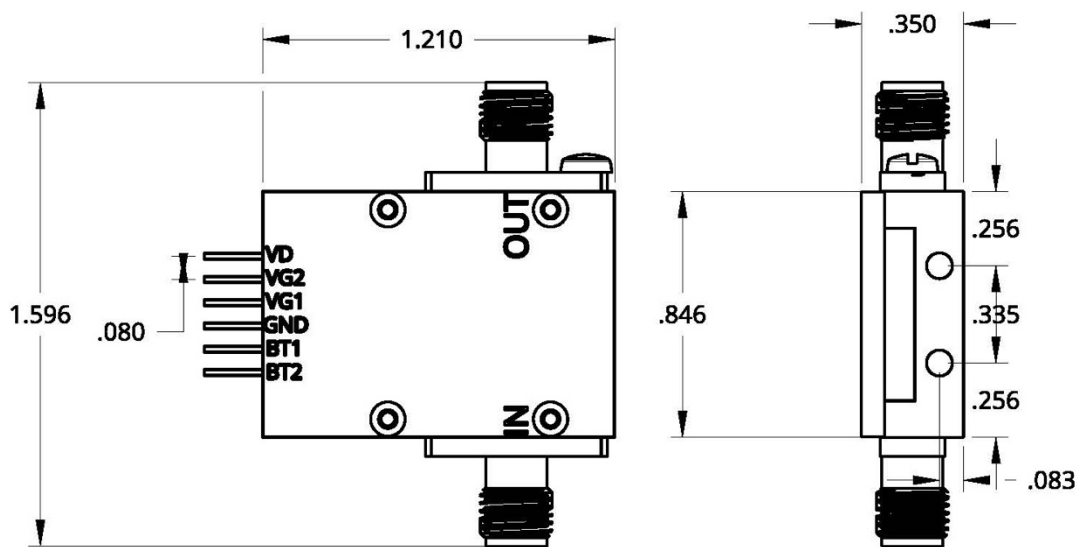


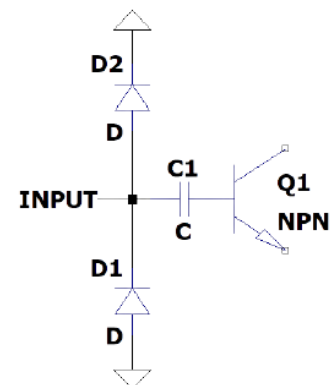
Figure 1. Bias Tee Schematic



# Optional Input Protection Diodes

As an option, the amplifier can be supplied with ESD protection & voltage spike protection at the RF input to the amplifier. There will be a slight degradation of the amplifier performance. Please note that the optional input protection diodes cannot be used if DC voltages are applied to the RF line using input bias tees.

To order an amplifier with internal bias resistors, add the resistance to the part #. For instance, CITCRYO1-18-PD.



**D1 & D2 = Input Protection Diodes**

Figure 2. Protection Diodes Schematic

# Product Care and Maintenance

- Use care to not bend (and break) the DC bias pin when tightening the output SMA connector.
- The amplifier should not be connected to the power supply when connecting the input connector.
- Set the power of Port 1 in your VNA to be less than -45 dB when testing the amplifier. Otherwise, the amplifier may saturate, and the data obtained will be incorrect.
- Do not attempt to open the amplifier.
- Electrostatic discharge may damage the amplifier.

## Contact Information

### Sales & Quotes

[Sales@CosmicMicroTech.com](mailto:Sales@CosmicMicroTech.com)

### Non-Technical Questions

**Name** Ms. Denise L. Smith  
**Email Address** [Denise@CosmicMicroTech.com](mailto:Denise@CosmicMicroTech.com)  
**Phone Number** +1 (424) 456-7722  
**Address** 15711 Condon Avenue, Unit A3, Lawndale, CA 90260, USA

### Technical Questions

**Name** Mr. Stephen Smith  
**Email Address** [Steve@CosmicMicroTech.com](mailto:Steve@CosmicMicroTech.com)  
**Phone Number** +1 (424) 456-7744  
**Address** 15711 Condon Avenue, Unit A3, Lawndale, CA 90260, USA

*Specifications are subject to change without notice. Information supplied by CMT is accurate and reliable to the best of our knowledge.*